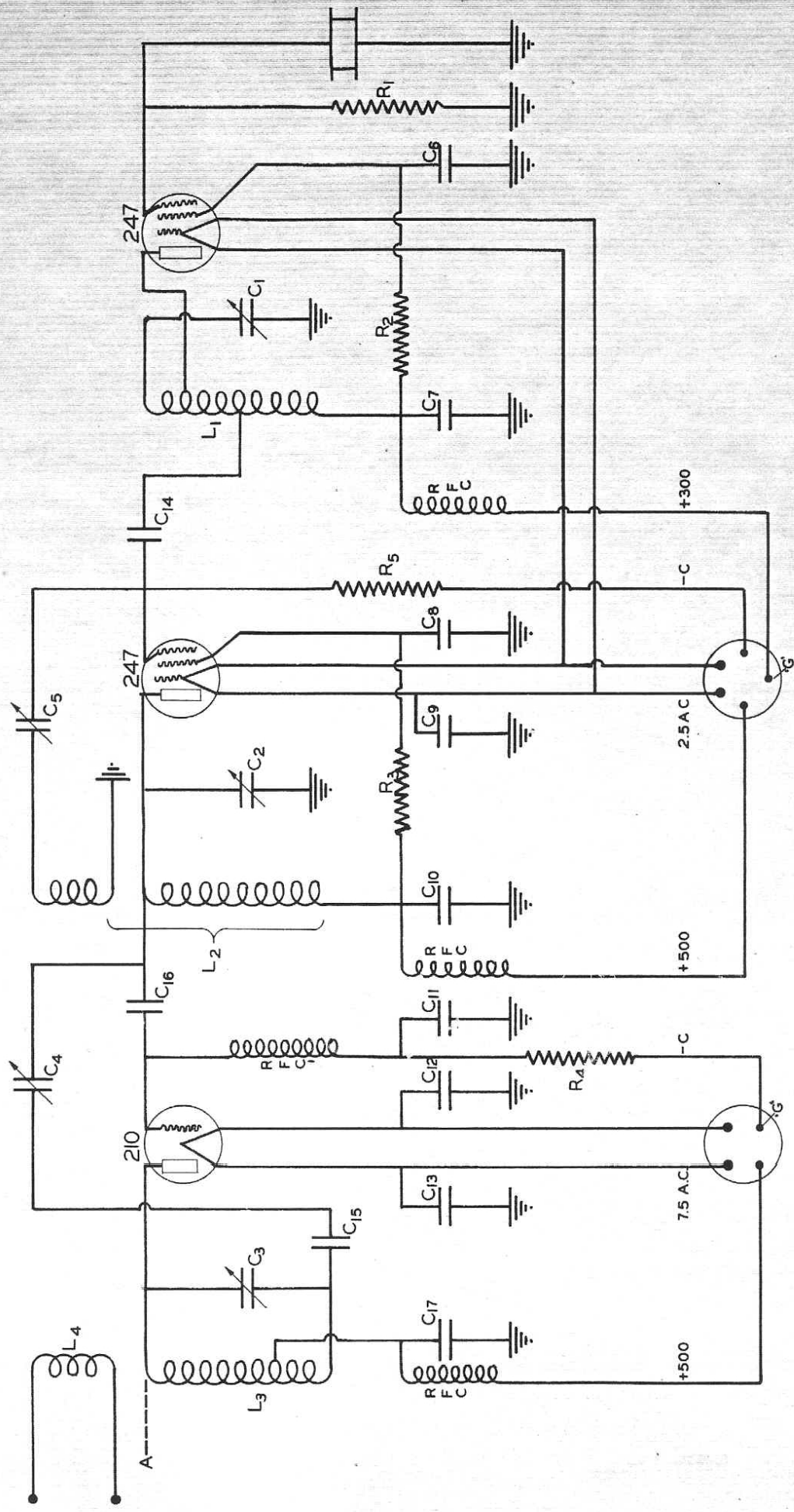


SCHEMATIC DIAGRAM



ENGINEERING DEPARTMENT  
Collins Radio Company  
Cedar Rapids, Iowa

NOTE! GROUNDS INDICATE  
CONNECTION TO CHASSIS.  
-500-300+C&FIL. C.T. MUST BE  
RETURNED TO CHASSIS.

COLLINS RADIO TRANSMITTERS  
CEDAR RAPIDS IOWA.  
W9CXX.

DRWG. NO. 405	DESIGN NO. 10A
CRYSTAL CONTROL UNIT	
DRAWN BY: R.T. ACKERMAN.	APPROVED: A.A. COLLINS.