

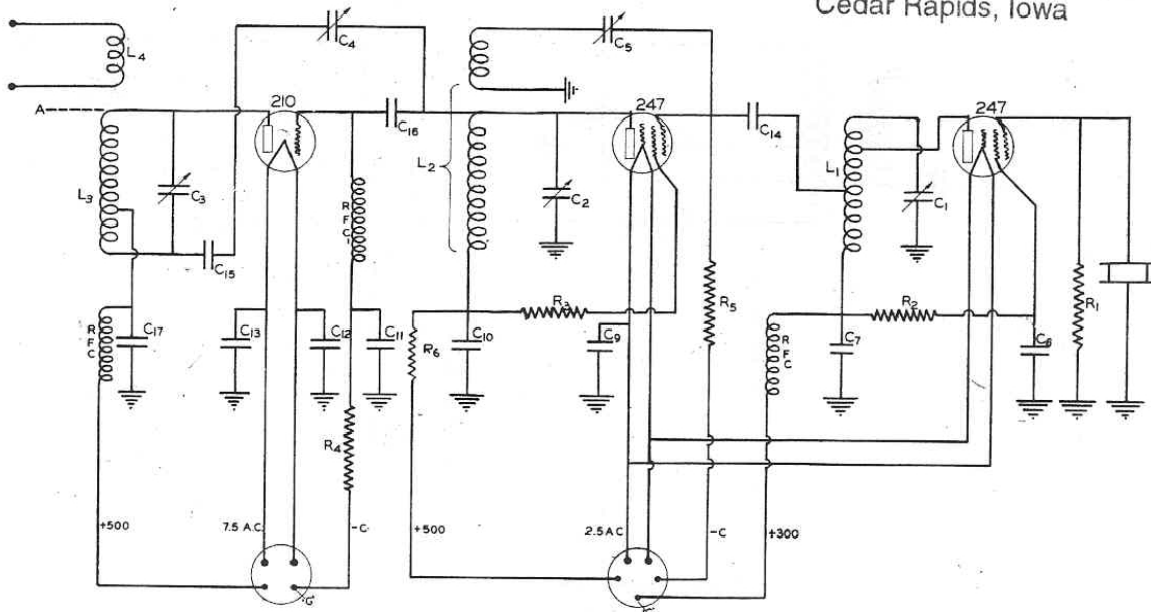
Collins Transmitters

Sheet 10A

TYPE 10A CRYSTAL CONTROL UNIT

ENGINEERING DEPARTMENT
Collins Radio Company
Cedar Rapids, Iowa

SCHMATIC DIAGRAM



LIST OF PARTS FOR 10A CRYSTAL CONTROL UNIT

Quantity Required	Symbol	Size	Rating	Description	Type No.	Price Each
3	C ₁ C ₂ C ₃	125 mmf.	1000 V.	Tank Tuning Condensers (Hammarlund)	MLW-125	\$ 2.25
1	C ₄	75 mmf.	500 V.	Neutralizing Condenser (Hammarlund)	MC-75-S	.85
5	C ₆ C ₇ C ₉ C ₁₂ C ₁₃	.006 mfd.	600 V.	Fixed Mica Condensers	1460	.25
3	C ₁₁ C ₁₄ C ₁₅	.002 mfd.	1000 V.	Fixed Mica Condensers	1450	.20
3	C ₁₀ C ₁₆ C ₁₇	.002 mfd.	2500 V.	Fixed Mica Condensers	1456	.35
4	R ₁ R ₂ R ₃ R ₅	50,000 ohm	20 watt	Wire Wound "Red Devil" Resistors		.30
1	R ₄	5,000 ohm	10 watt	Wire Wound "Red Devil" Resistor		.20
1	R ₆	2,500 ohm	10 watt	Wire Wound "Red Devil" Resistor		.20
2	RFC	40 mh.		Radio Frequency Chokes		.15
1	RFC ₁	Radio Frequency Choke, NAVY Type, pi-wound				.75
(1)	L ₁	Oscillator Tank Inductance				1.15
(1)	L ₂	Buffer Tank Inductance (C ₅ mounted on coil)				1.95
(1)	L ₃	Amplifier Tank Inductance (Specify frequency band of each coil when ordering.)				1.35
1	L ₄	Antenna Coupling Coil				.50
1		10A Chassis, burnished aluminum, completely punched				2.50
5		UX Wafer Sockets, G.E. Textolite insulation				.06
3		UY Wafer Sockets, G.E. Textolite insulation				.06
2		General Radio Jacks for Crystal Holder		247J		.08
6		Isolantite Bushings, 15/32" x .173"		483		.20
1		10A Panel, Formica, black rubbed finish, completely drilled and engraved				2.75
3		General Radio Dials, 4" with flush indicators		317A		1.60