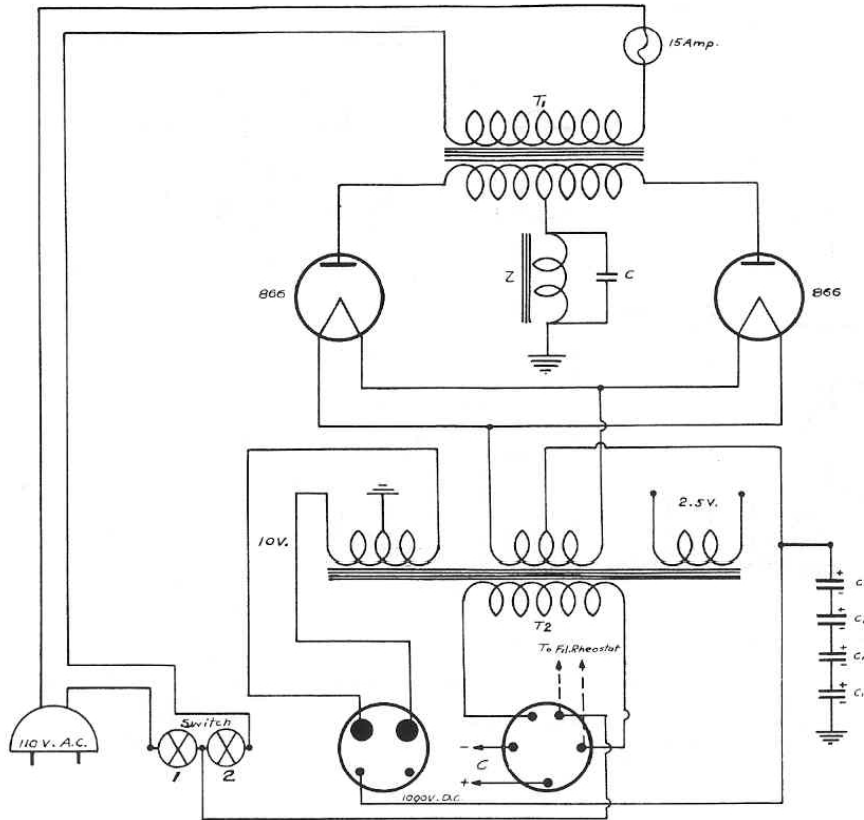


# Collins Transmitters

Sheet 1200B

## TYPE 1200B POWER SUPPLY



Collins 1200 B  
Power Supply  
Drawing No. 452.

### LIST OF PARTS FOR 1200B POWER SUPPLY

Quantity Required	Symbol	Size	Rating	Description	Type No.	Price Each
1	T <sub>1</sub>			Plate Transformer: 110 V. 60 cycle primary 1350-1350 V. 400 MA. D.C.	930	\$22.50
1	T <sub>2</sub>			Filament Transformer: 110 V. 60 cycle primary 10 V. C.T. 2.5 V.C.T. 2.5 V.C.T. 12 A. 10 A. 10 A.	1030	9.00
1	Z	25-10 hy.	400 MA.	Input Choke	810	6.30
4	C <sub>1</sub>	16 mfd.	500 V.	Electrolytic Condenser	15-16	1.30
1	C	.004 mfd.	2500 V.	Mica Condenser	1456	.50
1				UY Wafer Socket		.06
3				UX Wafer Sockets		.06
4				High Voltage Socket Shields		.06
1				Fuse Receptacle		.50
				Wires and Cable		3.00
1				1200B Chassis		3.25