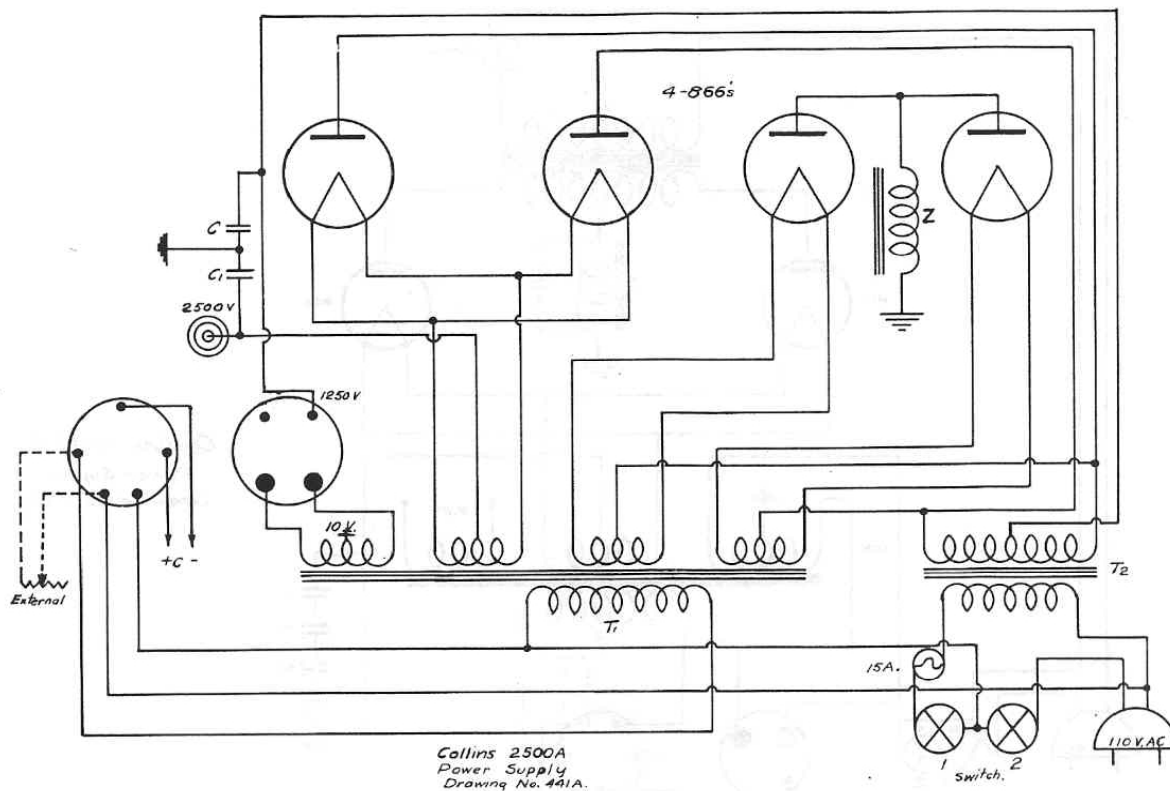


Collins Transmitters

Sheet 2500A

TYPE 2500A POWER SUPPLY



LIST OF PARTS FOR 2500A POWER SUPPLY

Quantity Required	Symbol	Size	Rating	Description	Type No.	Price Each
1	T ₁			Filament Supply Transformer 10 V. 2.5 V. 2.5 V. 2.5 V. 15 A. 10 A. 10 A. 10 A.	1035	\$15.00
1	T ₂			Plate Supply Transformer 1500-1500 V. 600 MA.	937	36.00
1	Z	35-15 hy.	400 MA.	Input Choke	811	9.75
1	C ₁	2 mfd.	5000 V.	Flechtheim Condenser	VM200	27.00
4	C	16 mfd.	500 V.	Electrolytic Condenser	15-16	1.30
5				UX Wafer Sockets		.06
1				UY Wafer Socket		.06
6				High Voltage Socket Shields		.06
1				High Tension Terminal		.50
1				Fuse Receptacle		.50
1				Wires and Cable		3.00
1				2500A Chassis		4.00