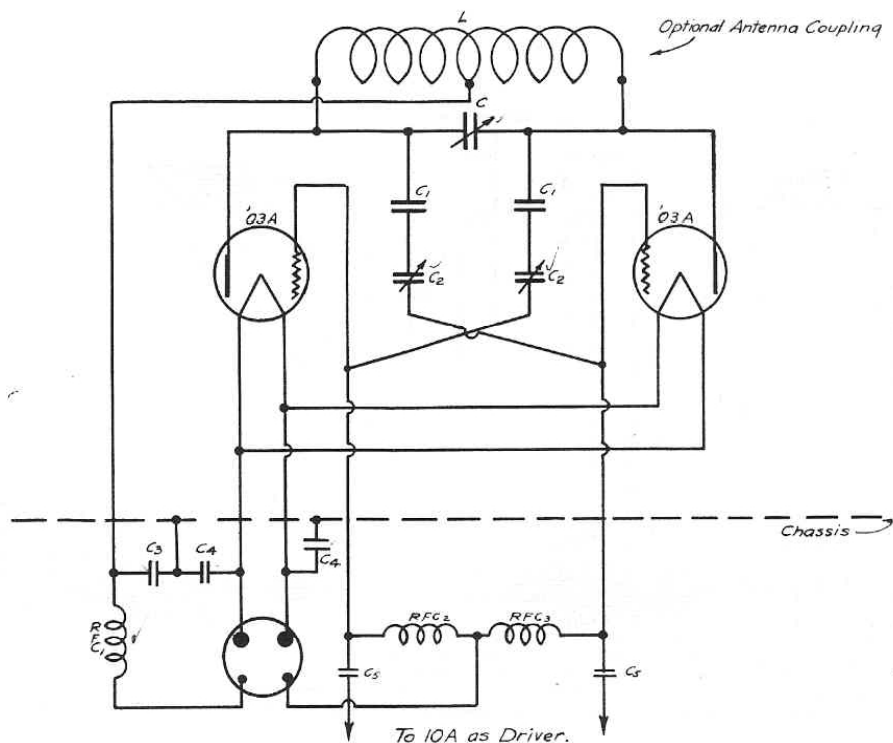


Collins Transmitters

Sheet 33A

TYPE 33A R.F. POWER AMPLIFIER



LIST OF PARTS FOR 33A R.F. POWER AMPLIFIER

Quantity Required	Symbol	Size	Rating	Description	Type No.	Price Each
1	C	100 mmf.	.192" air gap	Tank Condenser (Hammarlund)	TC-100A	\$ 5.70
2	C ₂	50 mmf.	.07" air gap	Neutralizing Condenser (Cardwell)	410B	2.40
3	C ₁ C ₃	.002 mfd.	5000 V.	Mica Condenser	1457	.70
2	C ₄	.01 mfd.	1000 V.	Mica Condenser	1450	.35
2	C ₅	.002 mfd.	2500 V.	Mica Condenser	1456	.35
3	RFC _{1,2,3}			Radio Frequency Chokes, NAVY type, pi-wound		.75
1	Inductance	Plug-in Mounting			631F	.25
4	Isolantite	Stand-off Insulators			348-L4	.70
2	Isolantite	Stand-off Insulators			434	.50
5	Isolantite	Bushings			483	.20
3	G.R.	Midget Jacks			247J	.08
2	Isolantite	50W Tube Sockets			161A	1.95
1	Tank Inductance	(Specify frequency band)				5.00
3	General Radio	4" Dials with Indicators			317A	1.60
1	Formica	Panel, completely drilled and engraved			633A	2.75
1	Aluminum	Chassis				2.50